

Micro-Filter airvision modular



Compressed air filters in modular design remove almost without residue the smallest remaining particles of water, oil or dirt to 99,999% (for 0,01 µm).
Port sizes G^{1/8} to G^{1/2}.

Technical Data

	I	II
Nominal rates of flow*	570NI/min	770NI/min
Max. operating pressure plastic bowl / metal bowl	16bar/25bar	
Operating temperature plastic bowl / metal bowl	0°C to +50°C/0°C to +80°C	
Effective bowl volume	10cm ³	20cm ³
Filter mesh	0,01 µm	
Residual oil content	0,01 ppm	
Mounting position	vertical	
Direction of flow	arrow	
Nominal width	DN6	DN15
Nominal pressure (housing)	PN25	
Weight	230g	560g
Material	NBR	
Seals	zinc alloy	
Housing	borosilicate glass microfiber	
Filter element	polycarbonate	
Plastic bowl		

*measured at p₁=6bar and Δp=0,5bar

Micro-Filters

with plastic bowl and manually-operated drain valve

Size	G ^{1/8}	G ^{1/4}	G ^{3/8}	G ^{1/2}
I	453.21*	453.22	-	-
II	-	-	453.25*	453.26

special option - how to order:

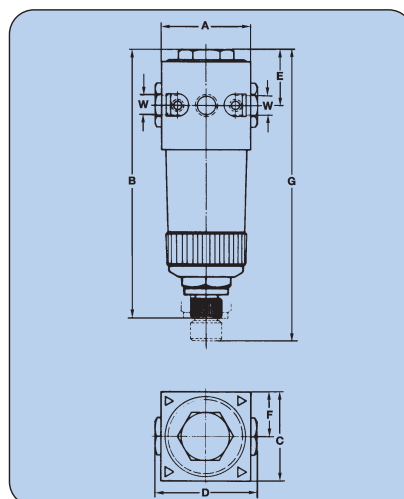
453.21 x
 M - metal bowl
 S - bowl protection

Accessories

	I	II
Bracket mounting	444-5	444-14
Bowl protection for plastic bowl	419-10	445-51
Metal bowl with seal and manually-operated drain valve	419-52	419-57

Main spare parts

	I	II
Plastic bowl with seal and manually-operated drain valve	419-64	443-65
Special filter cartridge with seal	448-5	403-1

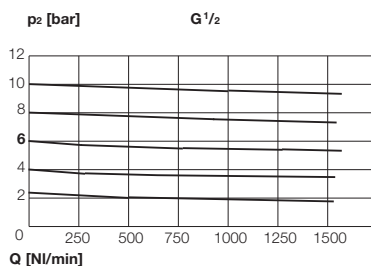
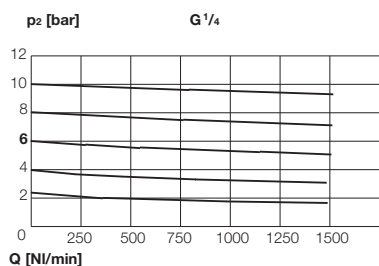


Dimensions [mm]

Size Port	I		II	
	G ^{1/8} *	G ^{1/4}	G ^{3/8} *	G ^{1/2}
A	40		62	
B	155		200	
C	40		62	
D	46	40	70	62
E	25		34	
F	20		31	
G**	220		250	

**Space required to change element.

Rates of flow



* Inlet and outlet reduced (reducing adapters with O-Rings enclosed)