

Micro-Filter standard



Microborosilicate air filters are suitable for use in all situations in which the required purity of the compressed air is especially high. As the second stage after the standard filter they remove almost without residue the smallest remaining particles of water, oil or dirt to 99,9999% (for 0,01 µm). Residual oil content 0,01 ppm. Port size G^{1/8} to G^{3/8}.

Technical Data

	Small
Nominal rates of flow**	560NI/min
Max. operating pressure plastic bowl / metal bowl	16 bar / 25 bar
Operating temperature plastic bowl / metal bowl	0°C to +50°C / 0°C to +90°C
Effective bowl volume	max. to Microfilterelement
Mounting position	vertical
Direction of flow	arrow
Nominal width	DN6
Nominal pressure (housing)	PN25
Weight	380g
Material	
Seals	NBR
Housing	zinc alloy
Filter element	borosilicate glass microfiber
Plastic bowl	polycarbonate

** measured at p₁=6 bar and Δp=0,5 bar

Micro-Filters

Size	G ^{1/8}	G ^{1/4}	G ^{3/8}
with plastic bowl and manually-operated drain valve			
Small	403.21*	403.22*	403.23
with plastic bowl and semi-automatic drain valve			
Small	403.521*	403.522*	403.523
with plastic bowl and add-on automatic drain valve A (max. 16 bar)			
Small	403.121*	403.122*	403.123

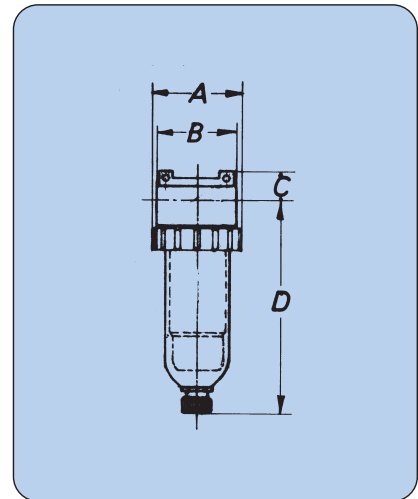
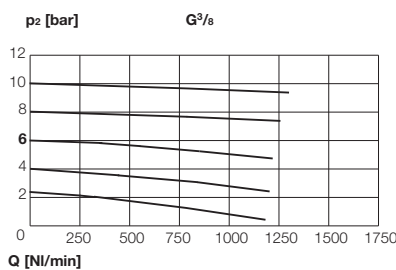
Accessories

	Small
Bracket mounting	322-24
Bowl protection for plastic bowl with bowl ring	322-130
Metal bowl with seal and manually-operated drain valve	324-101
semi-automatic drain valve	324-113
external-automatic drain valve A	324-114
Bowl ring	287-25

Main spare parts

	Small
Plastic bowl with seal and manually-operated drain valve	403-9
semi-automatic drain valve	403-26
external-automatic drain valve A	403-30
Bowl ring	287-25
Sealing ring for all bowls	287-6
Micro-Filter element with seal 0,01 µm (M10x1 – Ø28x68)	403-1

Rates of flow



Dimensions [mm]

Size Port	G ^{1/8} *	Small G ^{1/4} *	G ^{3/8}
A	56	56	56
B	57	57	50
C	19	19	19
D**	135	135	135

** -semi-automatic drain valve +10mm
-external-automatic drain valve +90mm

special option - how to order:

403.21 x
└───┬───┘ M - metal bowl
└───┬───┘ S - bowl protection

For example:

403.21- with bowl protection = 403.21S

* Inlet and outlet reduced