

# Fog-Lubricator

## airvision modular



Compressed air lubricator in modular design add a fine oil fog to the compressed air, providing a constant and reliable lubrication of pneumatically regulated compressed air tools, valves and cylinders etc... Flanging is possible on both sides for adding other airvision equipment. Port sizes G<sup>1</sup>/<sub>8</sub> to G1. Oil can be refilled under pressure. Needle valve for oil adjustment with high drop constancy over long periods of time.

### Technical Data

	I	II	III
<b>Nominal rates of flow**</b>	1670NI/min	3830NI/min	4330NI/min
<b>Min. flow rate***</b>	30NI/min	33NI/min	100NI/min
<b>Max. operating pressure</b>		16bar / 25bar	
<b>Operating temperature</b>		0°C to +50°C****	
<b>Effective bowl volume</b>	25cm <sup>3</sup>	100cm <sup>3</sup>	120cm <sup>3</sup>
<b>Mounting position</b>		vertical	
<b>Direction of flow</b>		arrow	
<b>Nominal width</b>	DN6	DN15	DN20
<b>Nominal pressure (housing)</b>		PN25	
<b>Weight</b>	270g	590g	870g
<b>Material</b>			
Seals		NBR	
Housing	zinc alloy	zinc alloy	aluminum
Plastic bowl		polycarbonate	

\*\* measured at p<sub>1</sub>=6bar and Δp=1 bar

\*\*\* Oil delivery 10 droplets/min at 6bar

\*\*\*\* 80°C with metal bowl and oiler dome out of metal

### Recommended oil see chapter 8

Oil containers made of plastic (polycarbonate) are attacked by oil additives, anti-frost or synthetic oils. We therefore recommend normal lubricating oils of approx. 22 to 32cSt at 40°C (in the case of striking tools up to 68cSt). Metal containers should be used for other oils, especially for low-temperature oils. Also recommended is a metal lubricator adjusting cap.

### Fog-Lubricators with plastic bowl

Size	G <sup>1</sup> / <sub>8</sub>	G <sup>1</sup> / <sub>4</sub>	G <sup>3</sup> / <sub>8</sub>	G <sup>1</sup> / <sub>2</sub>	G <sup>3</sup> / <sub>4</sub>	G1
I	446.01*	446.02	-	-	-	-
II	-	-	446.05*	446.06	-	-
III	-	-	-	-	7446.08	7446.09

### Fog-Lubricators with metal bowl

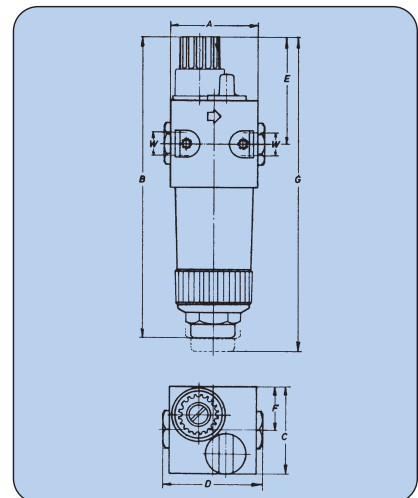
Size	G <sup>1</sup> / <sub>8</sub>	G <sup>1</sup> / <sub>4</sub>	G <sup>3</sup> / <sub>8</sub>	G <sup>1</sup> / <sub>2</sub>	G <sup>3</sup> / <sub>4</sub>	G1
I	446.11M*	446.12M	-	-	-	-
II	-	-	446.15M*	446.16M	-	-
III	-	-	-	-	7446.18M*	7446.19M

### Accessories

	I	II	III
<b>Bracket mounting</b>	444-5	444-14	444-14
<b>Lubricator adjusting cap metal</b>	423-65	423-65	423-65
<b>Metal bowl with seal</b>	446-38	446-39	419-57
<b>Bowl protection for plastic bowls</b>	445-44	445-45	445-51

### Main spare parts

	I	II	III
<b>Plastic bowl with seal</b>	446-6	446-20	421-33
<b>Lubricator adjusting cap plastic</b>	423-179	423-179	423-179



### special option - how to order:

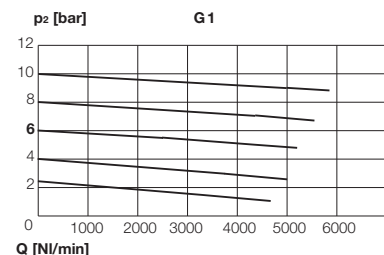
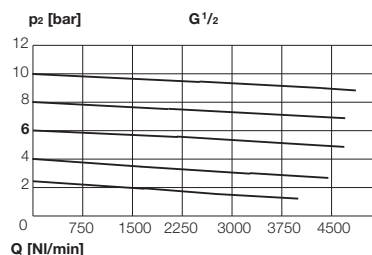
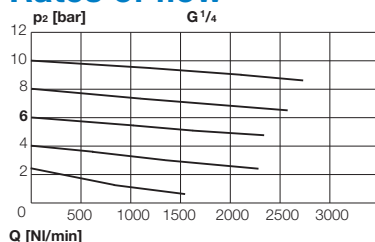
x446.02 x

- S - bowl protection (for plastic bowl)
- M - metal bowl
- 7 - Size III

### Dimensions [mm]

Size Port	I G <sup>1</sup> / <sub>8</sub> *, G <sup>1</sup> / <sub>4</sub>	II G <sup>3</sup> / <sub>8</sub> *, G <sup>1</sup> / <sub>2</sub>	III G <sup>3</sup> / <sub>4</sub> *, G1
A	46 40	70 62	82 70
B	140	175	230
C	40	62	70
D	46 40	70 62	82 70
E	50	60	65
F	20	31	35
G	170	200	280

### Rates of flow



\* Inlet and outlet reduced (reducing adapters with O-Rings enclosed)